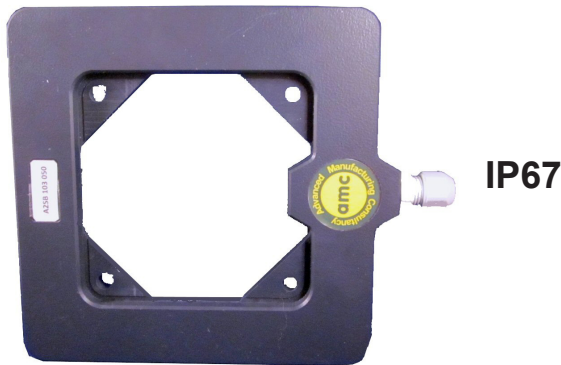


LF ANTENNA

A2SX x03 yyy0

IDeal 125



The **IDeal 125** Identification system has been developed with respect to the European regulation EN300330/Class 2. This class is intended for systems with customized antennae.

A2SX x03 yyy0 make up the standard Antennae series to be used with the **IDeal 125** central units R2xx 024 M02 for short range applications.

The A2SX x03 yyy0 can also be used 1:1 together with the Baumer central units ZE.77. SR.xx.yy.

The different antennae have been designed with respect to a wide variety of applications. In general, the antennae have to be used in a free air environment.

For mounting in close proximity to metal, antennae of the series A2SX 203 yyy0 should be utilized.

Special antennae for mounting directly onto metal are also available.

Specifications about reading distances and recommended

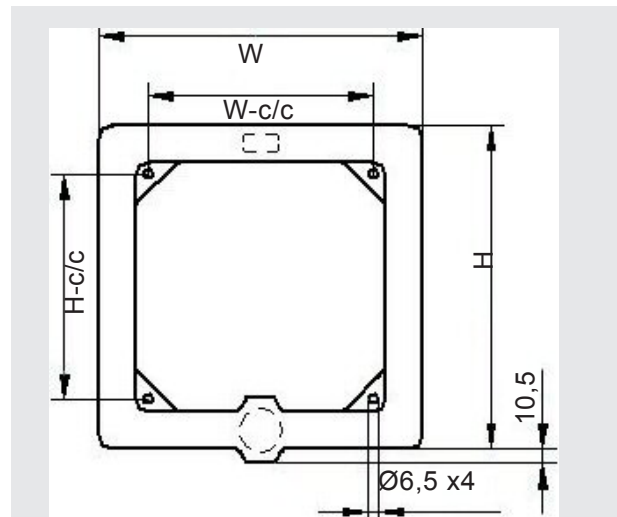
transponder types are given in the system manual PUB 030 044 050.

Normally, the central units are mounted in dry environments, even when the antennae are exposed to water or snow.

Hence, we equip the standard antennae with cable plugs of the IP40 type. On demand and against a surcharge we will supply the IP67 type in stead.

Technical Data

Type:	IDeal 125A
Order.-No.:	A2SX x03 yyy0 A2SX x03 yyy1* x1= in air, x2= near metal yyy= cable length in dm
Cable:	fixed cable, yyy dm length, PUR, minimum bending radius: 50 mm, for static applications
Cable connector:*	Amphenol C091A = IP40 Amphenol C091D = IP67*
Temperature-range:	0... +50 °C (Operation) -10 ... +60 °C (Storage)
Housing	Polypropylene
Protection class:	IP67*
Tuning:	free air
Dimensions:	Hmm x Wmm (see drawing)



A2SX; X=Size	H	W	H-c/c	W-c/c
A2SB x03 yyy0	150	150	81	81
A2SC x03 yyy0	225	225	156	156
A2SD x03 yyy0	275	275	206	206
A2SE x03 yyy0	400	400	331	331

PUB. 031 044 064, Rev. Nov. 2013. All rights reserved.
©AMC HB, 2013



AMC HB
Lyckebo
SE-514 52 Långhem
Phone: +46 325 40640
Mobile: +46 70 289 1142
E-mail: info@amc-hb.se
<http://www.amc-hb.se>

Ident System AB
Klostergatan 33, SE 553 35 Jönköping
Phone: +46 36 131150
Fax: +46 36 150076
Mobile: +46 70 6040094
E-mail: info@identsystem.com
<http://www.identsystem.com>

