

# RFID Controller

## Read/Write - Short Range

### 2-Channel



*The **IDeal 125 LF – Controller** is a Read/Write device with two antenna ports. It has been developed to fill the gap that occurred when the Baumer Ident reader OIS-L was no longer produced. We are now happy to introduce the **IDeal 125 LF – Controller**, which is fully compatible with the OIS-L reader. Being a more modern engine design, it even has some additional, very useful features. We have kept the external connections 100% identical to the old system, so all existing cables, antennas and programs can be used 1:1 without causing additional work or cost.*

Depending on antenna type and size, this powerful device can achieve a reading distance of up to 30 cm. The **IDeal 125** two channel controller allows Near Field and Short-Range applications.

The antennas can be detected separately and work independently. Therefore it is the perfect device were several reading points are required.

The combination of a modern RF module with two antenna ports and an up-to-date controller engine, enables fast data processing and high reading rates in one device. A powerful SDK allows for fast development of extensive applications.

#### **Typical applications:**

- **Industrial Automation**
- **Asset Tracking**
- **Animal ID**
- **Waste Management**

#### **Features**

- 125 kHz operating frequency
- Read-Only + Read/Write
- Supports ISO11784/11785, FDX-B
- 2 Antenna Ports
- Solutions for Near Field & Short-Range applications
- Possibility of using different RFID standards parallel in one application
- Several Standard Read Modes like Buffered Read Mode, Scan Mode & Notification Mode
- Integrated I/O ports
- Micro SD slot for memory extension
- Diagnostic mode via USB
- Multiple interface options
- Ruggedized product design and enclosure
- CE approved



## Technical Data

### Mechanical Specifications

Housing-Material:	Steel
Dimensions:	110 × 140 × 60 mm
Weight:	900 g
Protection Class:	IP63*
Color:	RAL 6005 Powder coating

### Electrical Specifications

Power Supply:	24 VDC ± 10 %
Power Consumption:	4.5 W
Operating Frequencies:	125 kHz
Operating Distance:	Up to 30 cm

### Connectors:

- Antennas :	2 × 3PIN
- Power & Digital I/O:	D-Sub-15M
- RS232:	D-Sub-9M
- Profibus DP:	D-Sub-9F
- Ethernet/IP:	RJ45
Interface (Standard):	RS232 & RS485
Interfaces (Options):	PROFIBUS DP, Ethernet/IP
Service interface:	USB
Memory Extension:	Micro SD-Slot

### Environmental Conditions

Operating Temperature:	-20 °C to +55 °C
Humidity:	5 % to 95 %

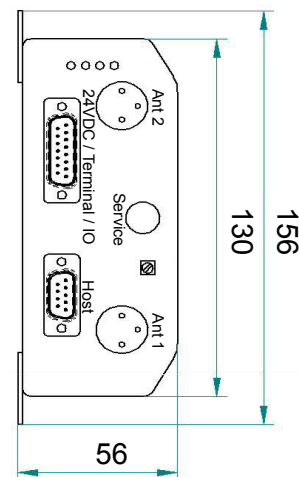
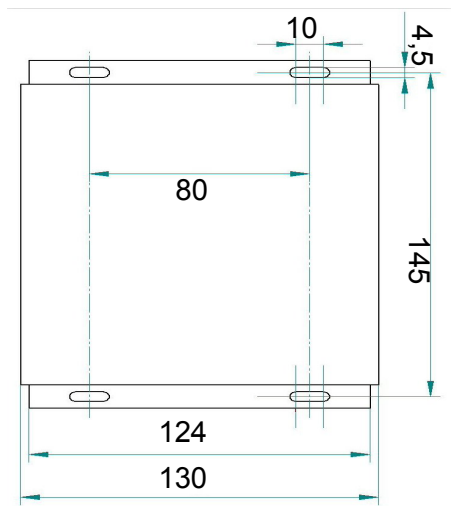
### Features

Supported Tags:	125 kHz Read-Only, 125 kHz Read/Write, ISO11784, ISO11785, FDX-B
Working Modes:	Scan-, Notification-, Buffered Read- and Stand-alone Mode
Status Display:	4 LEDs
Temperature Sensor:	On-board
Real – Time Clock:	Accuracy > 0,01s

### Applicable Standards

Radio Regulation: CE

\* IP65 only when unused connectors are plugged and sealed cable connectors are used.



### Order Codes:

<b>RS232:</b>	<b>R2SA 024 M02</b>
<b>Profibus DP:</b>	<b>R2SC 024 M02</b>
<b>Ethernet:</b>	<b>R2SF 024 M02</b>

### Available antennas (measures in mm):

100x100x15, 150x150x15, 225x225x15,  
275x275x15, 400x400x15.  
Ø10x50, Ø18x70 (M18x1,5), Ø30x70 (M30x1,5)  
Specials on request.

